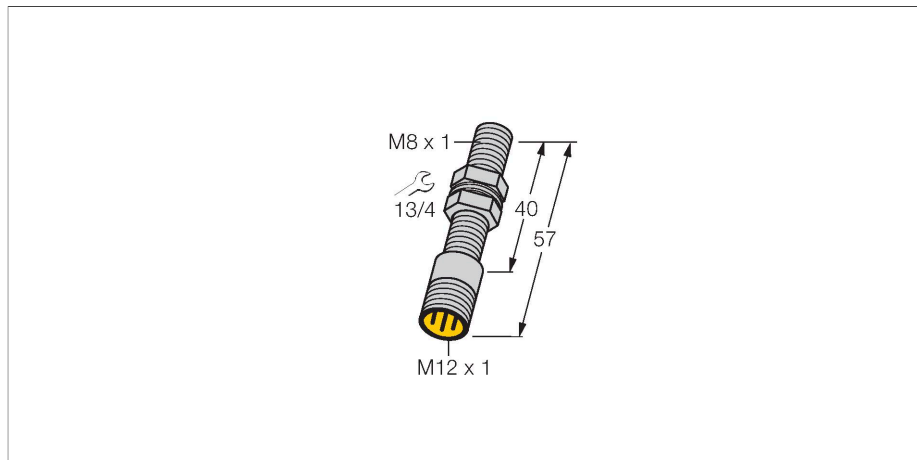


# BI1.5-EG08-LU-H1341

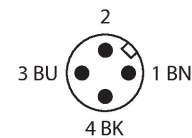
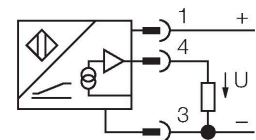
## Inductive Sensor – With Analog Output



### Features

- Threaded barrel, M8 x 1
- Stainless steel, 1.4427 SO
- 3-wire, 15...30 VDC
- Analog output
- 0...10 V
- M12 x 1 male connector

### Wiring diagram



### Technical data

Type	BI1.5-EG08-LU-H1341
ID	1533004
<b>General data</b>	
Measuring range	0.25...1.25 mm
Mounting conditions	Flush
Secured operating distance	$\leq (0.81 \times S_n)$ mm
Correction factors	St37 = 1; Al = 0.3; stainless steel = 0.7; Ms = 0.4
Repeatability	$\leq 1$ % of measuring range  A - B
	0.5 %, after warm-up 0.5 h
Reproducibility	$\leq 10$ $\mu$ m
	$\leq 5$ $\mu$ m, after a warm-up time of 0.5 h
Linearity deviation	$\leq 3$ %
Temperature drift	$\leq \pm 0.06$ %/K
<b>Electrical data</b>	
Operating voltage	15...30 VDC
Residual ripple	$\leq 10$ % $U_{ss}$
No-load current	8 mA
Isolation test voltage	$\leq 0.5$ kV
Short-circuit protection	yes
Wire breakage/Reverse polarity protection	no / Complete
Output function	3-wire, Analog output
Voltage output	0...10 V
Load resistance voltage output	$\geq 4.7$ k $\Omega$
Measuring sequence frequency	200 Hz
<b>Mechanical data</b>	
Design	Threaded barrel, M8 x 1

### Functional principle

Inductive TURCK sensors with analog output accomplish simple control tasks. They provide a current, voltage or frequency signal proportional to the target's distance. The output signal is linear to the distance of the target over the entire sensing range.

## Technical data

Dimensions	57 mm
Housing material	Stainless steel, 1.4427 SO
Active area material	Plastic, PA12-GF30
Max. tightening torque of housing nut	5 Nm
Electrical connection	Connector, M12 × 1
<b>Environmental conditions</b>	
Ambient temperature	-25...+70 °C
Vibration resistance	55 Hz (1 mm)
Shock resistance	30 g (11 ms)
Protection class	IP67
MTTF	751 years acc. to SN 29500 (Ed. 99) 40 °C

## Mounting instructions

### Mounting instructions/Description



Distance D	16 mm
Distance W	4.5 mm
Distance T	3 x B
Distance S	12 mm
Distance G	9 mm
Diameter active area B	Ø 8 mm

## Accessories

**QM-08** 6945100

Quick-mount bracket with dead-stop, chrome-plated brass, male thread M12 x 1. Note: The switching distance of proximity switches may be reduced through the use of quick-mount brackets.

**BST-08B** 6947210

Mounting clamp for threaded barrel sensors, with dead-stop; material: PA6

**MW-08** 6945008

Mounting bracket for threaded barrel sensors; material: Stainless steel A2 1.4301 (AISI 304)

**BSS-08** 6901322

Mounting clamp for smooth and threaded barrel sensors; material: Polypropylene

**MBS80** 69479

Mounting clamp for smooth barrel sensors; mounting block material: Anodized aluminum

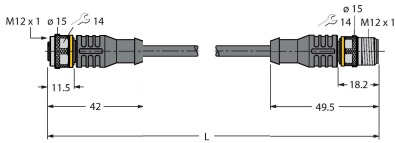
## Accessories

Dimension drawing	Type	ID	
	RKH4-2/TFE	6935482	Connection cable, M12 female, straight, 3-pin, stainless steel coupling nut, cable length: 2 m, jacket material: PVC, gray temperature range -25...+80 °C; other cable lengths and designs available, see <a href="http://www.turck.com">www.turck.com</a>
	RKH4-2/TFG	6934384	Connection cable, M12 female, straight, 3-pin, stainless steel coupling nut, cable length: 2 m, jacket material: TPE, gray temperature range -40...+105 °C; other cable lengths and designs available, see <a href="http://www.turck.com">www.turck.com</a>

Dimension drawing	Type	ID
-------------------	------	----

RKC4.301T-0.15-RSC4.334T/TXL 6631382

Extension cable, M12 female/male, straight, 4-pin, cable length: 0.15m, jacket material: PUR, black; cULus approval; Adapter cable for sensors with analog output on pin 2, for connection to analog inputs of fieldbus modules with 4-wire technology



## Accessories

Dimension drawing	Type	ID
-------------------	------	----

IM43-13-SR

7540041

Trip amplifier; 1-channel; input 0/4... 20 mA or 0/2...10 V; supply of 2- or 3-wire transmitters/sensors; limit value adjustment via teach button; three relay outputs with one NO contact each; removable terminal blocks; 27 mm wide; universal voltage supply 20...250 VUC; further Limit value indicators are described in our "Interface Technology" catalog.

