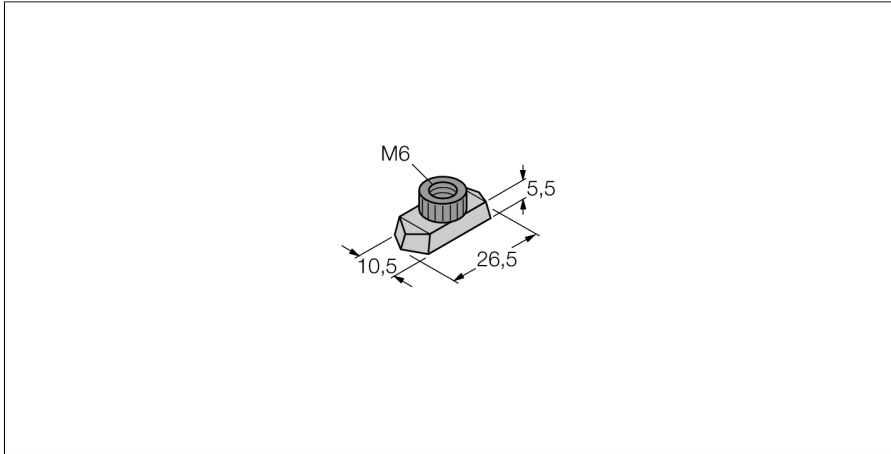


Accessories

DIN Rail Nut for Mounting Clamps

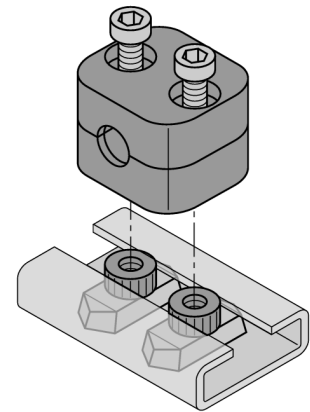
BSS-TSM 2 pcs



- DIN Rail Nut for Mounting Clamps
- For DIN rail TS 11

General description

The portfolio of mounting brackets consists of two half-shells and two Allen screws each. Optionally welding plates with additional drilling holes can be used. Matching DIN rail nuts are available for the mounting of DIN rails.



Type	BSS-TSM 2 pcs
ID	6901323
Dimensions	26.5 x 10.5 mm
Housing material	Metal