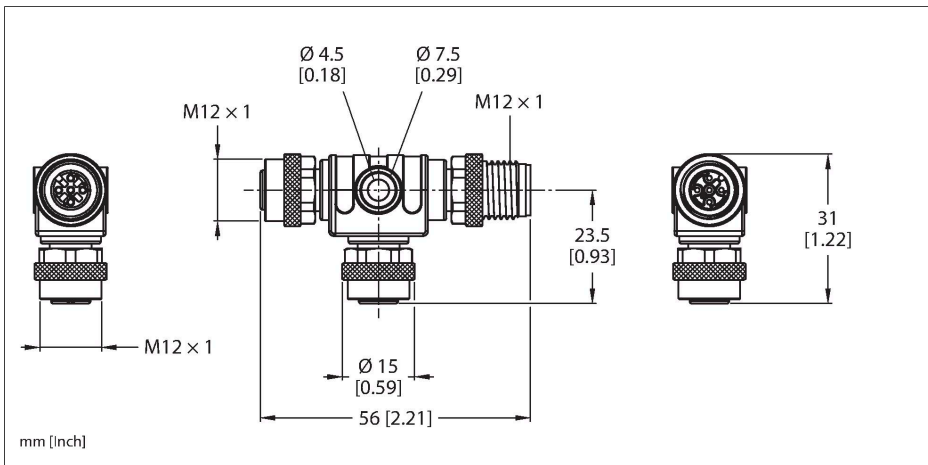


VT2-FKM5-FKM5-FSM5

2-Way Splitter – T-Splitter without Cable



Technical data

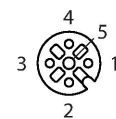
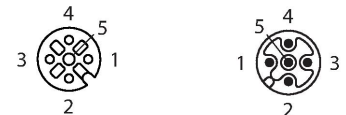
Type	VT2-FKM5-FKM5-FSM5
ID	6930573
Distributed I/O	T-splitter
Housing	Plastic, TPU
Connector A	Male, M12 × 1, A-coded
Number of Pins	5
Contacts	Brass, CuZn, Gold-plated
Contact carriers	Plastic, TPU, Black
Connector body	Black
Coupling nut/screw	Brass, CuZn, Nickel-plated
Tightening torque (range)	0.8 ... 1 Nm (observe max. torque of mating connector!)
Mechanical lifespan	> 100 Mating cycles
Pollution degree	3
Protection class	IP65, IP67, IP68, Only in screwed condition
Connector B	Female, M12 × 1, A-coded
Number of pins	4
Contacts	Metal, CuZn, Gold-plated
Contact carriers	TPU, Black
Coupling nut/retaining screw	Brass, CuZn, Nickel-plated
Seal	Plastic
Mechanical life	> 100 Mating cycles
Pollution degree	3
Protection class	IP65, IP67, IP68
Electrical properties at +20 °C	
Rated voltage	60 V

Features

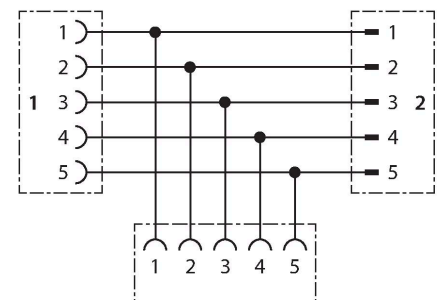


- M12 × 1
- Female connector - male connector - female connector, 5-pin
- RoHS-compliant
- Protection class IP67

Contact assignment



Circuit Diagram



Technical data

Current	4 A
Insulation resistance	$\geq 10^8 \Omega$
forward resistance	$\leq 5 \text{ m}\Omega$
Mechanical and chemical properties	
Ambient temperature range (stationary)	-30 °C...+90 °C