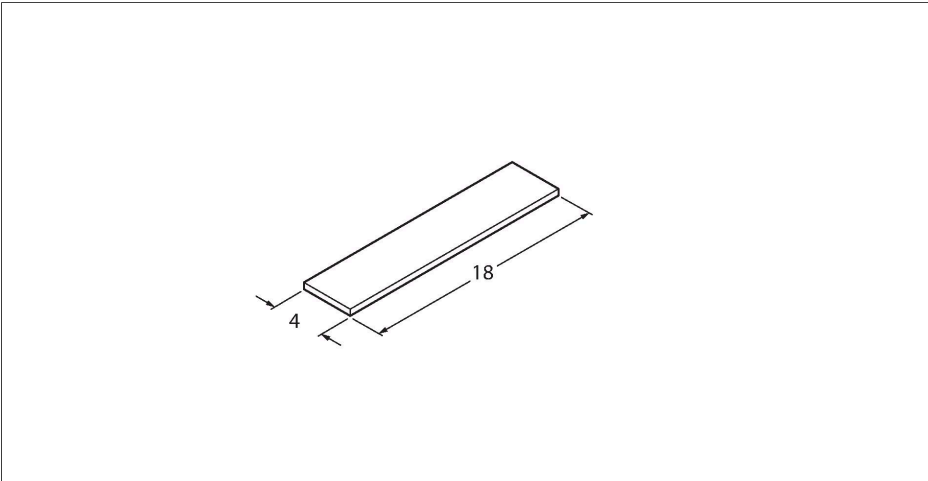


BLANK-LABEL-FOR-CORDSETS-TEL-TXL

- Label



Features

- Material: polycarbonate (PC)
- Color: white, similar to RAL 9016
- Label length: 18 mm
- Label height: 4 mm
- Halogen-free
- Flame-retardant (fire class V0)
- Temperature range: -40...+140 °C
- RoHS-compliant
- Single-line labeling (labeling technology: plotter, laser, ink jet, waterproof pen)
- Packaging unit: 57 pieces per sheet

Technical data

Type	BLANK-LABEL-FOR-CORDSETS-TEL-TXL
ID	6936206